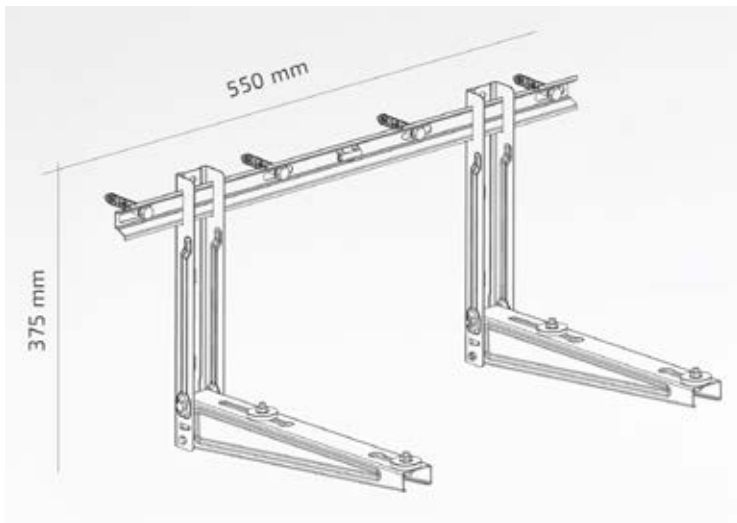


## AIR FIX PRO 550 AIR CONDITIONERS WALL BRACKET



**CODE** SUPSAW003

**BARCODE** 8054242081626

**MODEL** Air Fix Pro 550

**WEIGHT CAPACITY** 200kg / 440lbs

**MATERIAL** Steel

**OUTER CARTON** 6 PCS

**BRAND/MODEL  
COMPATIBLE** Universal

**ADDITIONAL CONTENT**

- Bubble level
- Anti-vibration rubber pads
- Instruction manual
- 2-year guarantee



[SUPERIOR-ELECTRONICS.COM](http://SUPERIOR-ELECTRONICS.COM)

Superior Electronics  
Largo Lanciani, 24 - 00162 Roma



All mentioned product names, logos and brands are property of their respective owners