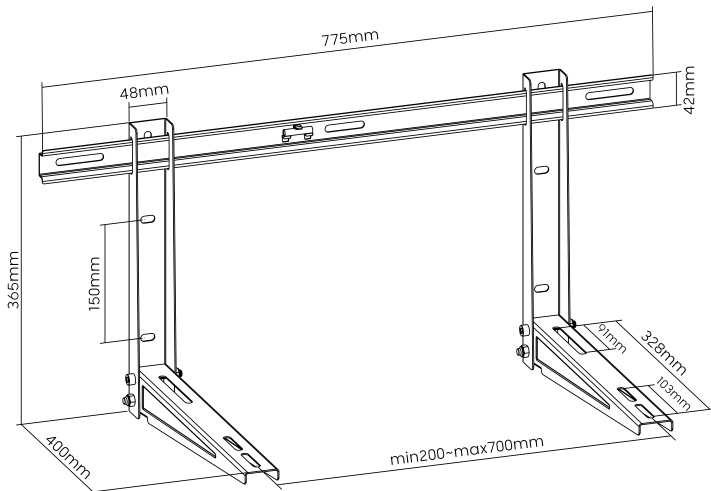


AIR FIX PRO - AIR CONDITIONER WALL BRACKET



CODE SUPASW002

BARCODE 8054242081473

MODEL Air Fix Pro

WEIGHT CAPACITY 140kg / 308lbs

MATERIAL Steel

OUTER CARTON 6 PCS

**BRAND/MODEL
COMPATIBLE** Universal

ADDITIONAL CONTENT

- Bubble level,
- Instructions manual,
- 2 years warranty



SUPERIOR-ELECTRONICS.COM

Superior Electronics
Largo Lanciani, 24 - 00162 Roma



All mentioned product names, logos and brands are property of their respective owners